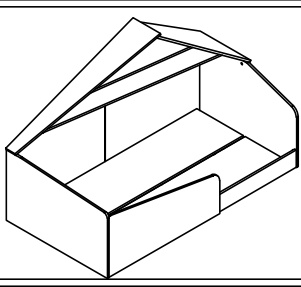



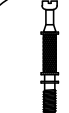


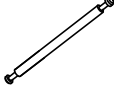

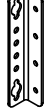


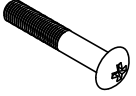

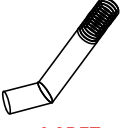

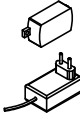

orpak®

GRUP : BİRDHOUSE
GROUP : BİRDHOUSE
ÜRÜN : MONTESSORİ KARYOLA
PRODUCT : MEONTESSORİ BED
RENK : SİS GRİ & BEYAZ
COLOUR : FOG GREY & WHITE

KOD : 2244
CODE : 2244



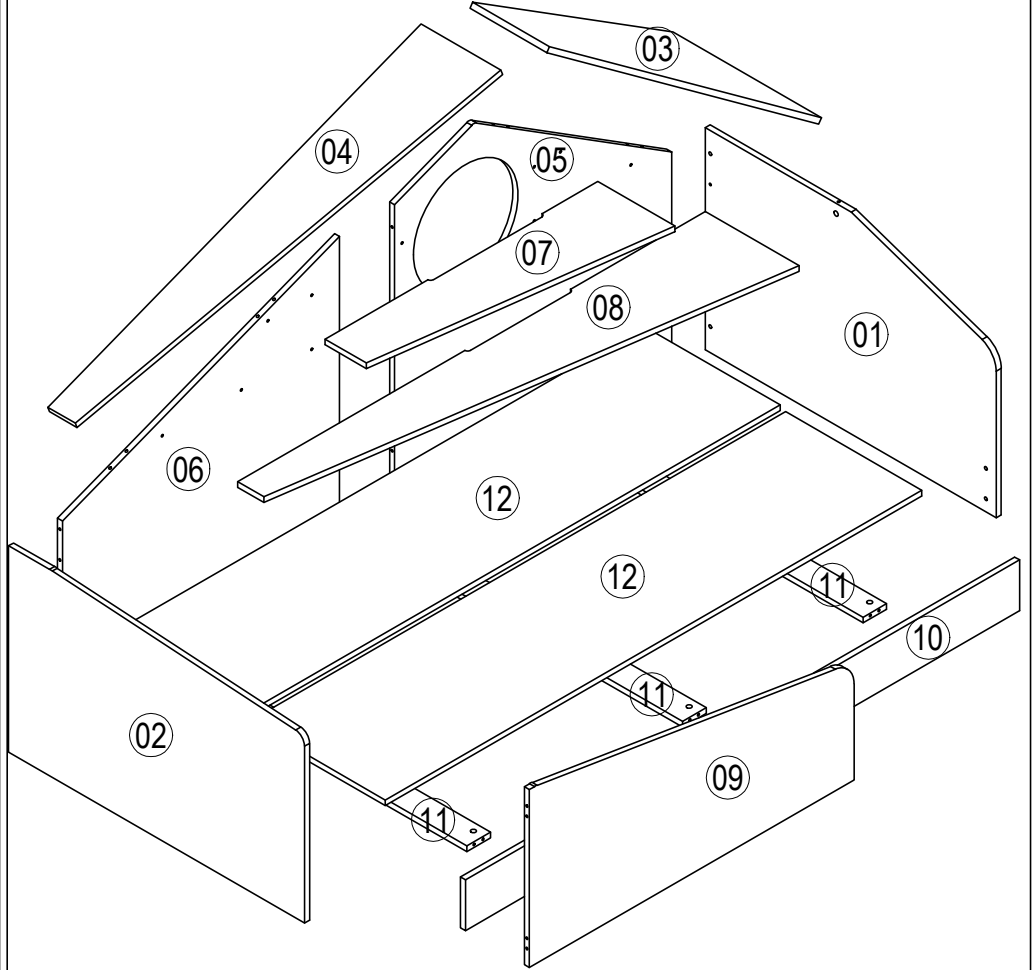
AKSESUAR LİSTESİ / ACCESSORIES LIST

ACCESSORIE NO : 002 TİTUS MİNİFİX GÖVDE  24 ADET	ACCESSORIE NO : 001 MİNİFİX MİL 6 MM  16 ADET	ACCESSORIE NO : 271 TEK TARAFLI MİNİFİX MİL  3 ADET	ACCESSORIE NO : 419 MAFSALLI MİL  1 ADET	ACCESSORIE NO : 041 MİNİFİX ARA MİL(68mm)  2 ADET
ACCESSORIE NO : 004 Ø8x30 KAVELA  25 ADET	ACCESSORIE NO : 031 KARYOLA MENTEŞE  2 ADET	ACCESSORIE NO : 114 M6*15 YSB VİDA  8 ADET	ACCESSORIE NO : 092 4*18 MM S. VİDASI  8 ADET	ACCESSORIE NO : 105 M6*30 VİDA  2 ADET
ACCESSORIE NO : 091 KABİN VİDASI (50mm)  8 ADET	ACCESSORIE NO : 546 RAF TUTUCU  4 ADET	ACCESSORIE NO : 020 MİNİFİX TAPA BEYAZ  2 ADET	ACCESSORIE NO : 529 ADAPTÖR VE DOKUNMA PANELİ  1 TAKIM	ACCESSORIE NO : 113 3,5*18 MM S. VİDASI  2 ADET

YEDEK AKSESUAR SİPARİŞLERİNİ RESME BAKARAK VERİNİZ. (Örn:ACCESSORIE.NO:008 - RAFİX MİL - 1 Ad.)
PLEASE ORDER THE ACCESSORIES ACCORDING TO THE REFERENCE NUMBER ON THE DRAWING(EXAMPLE ACCESSORIE NO-008 RAFİX MİL 1.PCS.)

orpak®

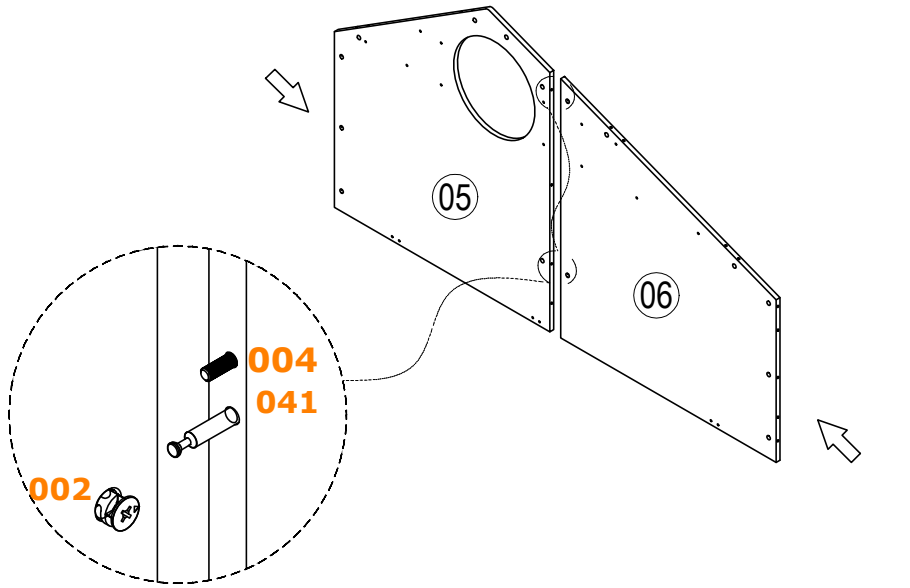
PARÇA LİSTESİ PARTS LIST



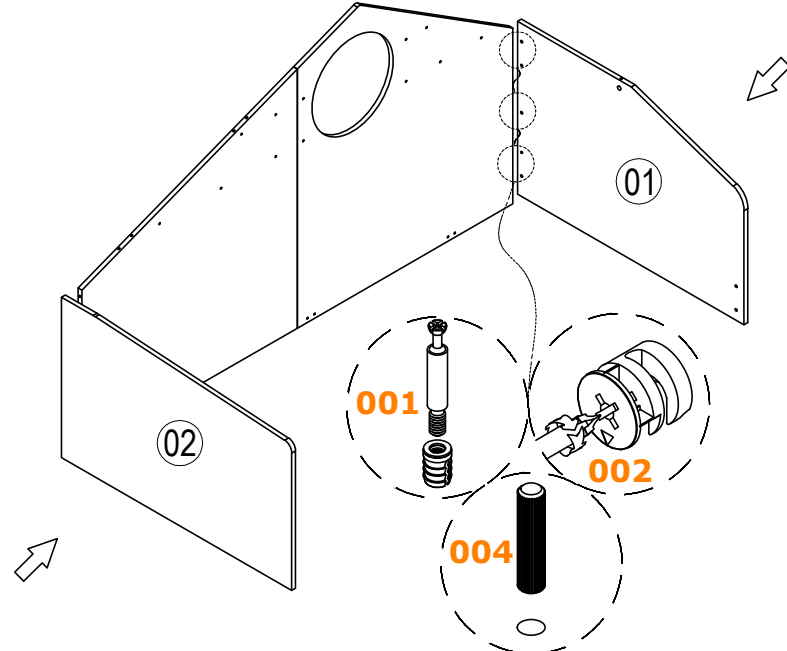
FR-002

NO	ADET/PCS	NO	ADET/PCS	NO	ADET/PCS
01	1	11	3		
02	1	12	2		
03	1				
04	1				
05	1				
06	1				
07	1				
08	1				
09	1				
10	1				

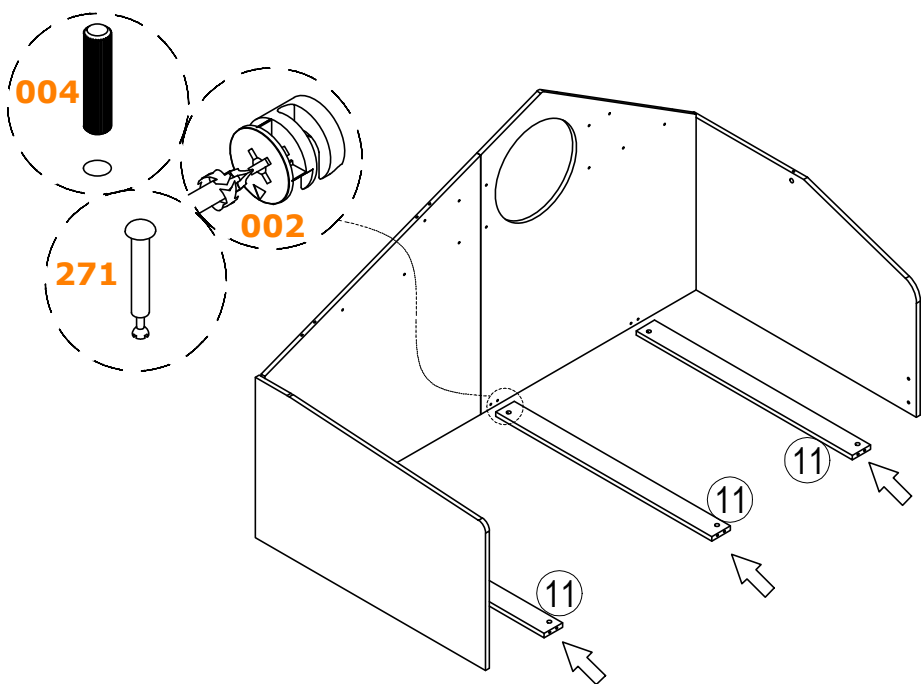
YEDEK PARÇA SİPARİŞLERİNİ RESME BAKARAK PARÇA NUMARASINA GÖRE VERİNİZ
PLEASE ORDER THE SPARE PARTS ACCORDING TO THE REFERENCE NUMBER ON THE DRAWING



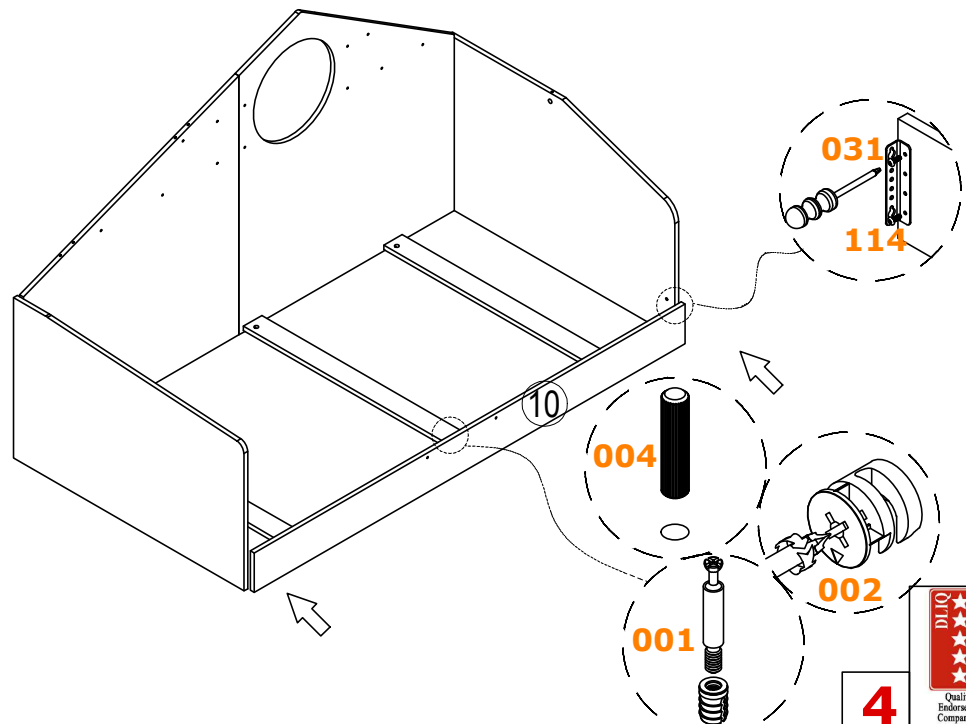
1



2



3



4

