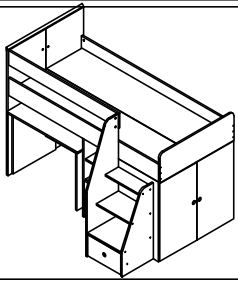


orpak®

GRUP : JOY IN
GROUP : JOY IN
ÜRÜN : FONKSİYONEL RANZA
PRODUCT : FUNCTIONAL BUNK
RENK : BEYAZ & KAPUÇİNO
COLOUR : WHITE & CAPPUCCINO

KOD : 1237
CODE : 1237



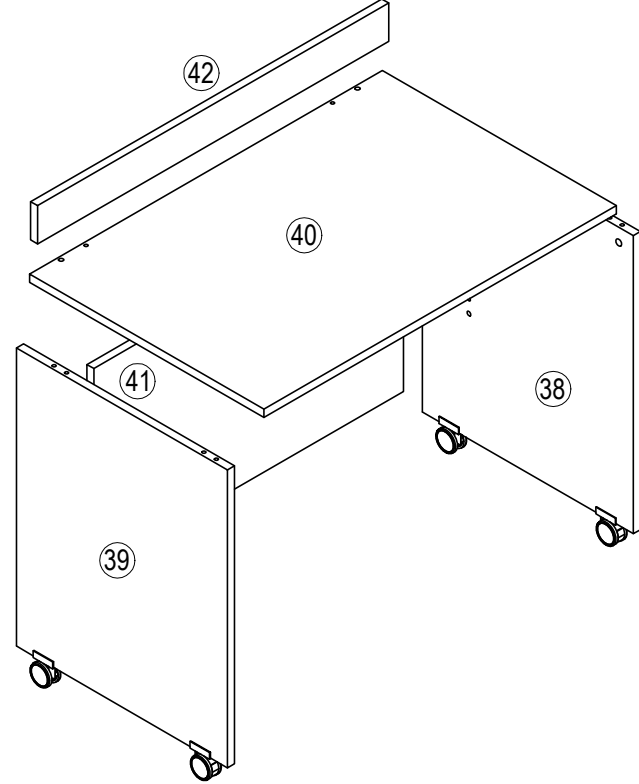
AKSESUAR LİSTESİ / ACCESSORIES LIST

ACCESSORIE NO : 317 10'LUK MINİFIX MİL	ACCESSORIE NO : 002 TİTUS MINİFIX GÖVDE	ACCESSORIE NO : 271 TEK TARAFLI MINİFIX MİL	ACCESSORIE NO : 004 Ø8x30 KAVELA	ACCESSORIE NO : 020 MINİFIX TAPA BEYAZ
 8 ADET	 10 ADET	 2 ADET	 10 ADET	 4 ADET
ACCESSORIE NO : 202 U TEKER FRENİZ	ACCESSORIE NO : 201 U TEKER FRENLİ	ACCESSORIE NO : 113 3.5*18 MM S. VİDASI		
 2 ADET	 2 ADET	 12 ADET		

YEDEK AKSESUAR SİPARİŞLERİNİ RESME BAKARAK VERİNİZ. (Örn:ACCESSORIE.NO:008 - RAFİX MİL - 1 Ad.)
PLEASE ORDER THE ACCESSORIES ACCORDING TO THE REFERENCE NUMBER ON THE DRAWING(EXAMPLE ACCESSORIE NO-008 RAFİX MIL 1.PCS.)

orpak®

PARÇA LİSTESİ PARTS LIST



FR-002

NO	ADET/PCS	NO	ADET/PCS	NO	ADET/PCS
38	1				
39	1				
40	1				
41	1				
42	1				

YEDEK PARÇA SİPARİŞLERİNİ RESME BAKARAK PARÇA NUMARASINA GÖRE VERİNİZ
PLEASE ORDER THE SPARE PARTS ACCORDING TO THE REFERENCE NUMBER ON THE DRAWING